



endograph DC

Intra-oral X-ray unit with high frequency DC generator

Product Data

Tubehead Features

High voltage circuit type	High frequency (DC)
High voltage frequency	30 kHz
Rated output voltage	60 - 65 - 70 kVp \pm 8%
Tubehead current	6 mA
Maximum deviation of output current	\pm 10%
Nominal tubehead power	420 W
Total filtration	2.5 mm Al eq. @ 70 kV, HVL > 2 mm Al eq.
Interval between exposures (duty cycle)	1:60
Minimum focus to skin distance	20 cm 30 cm with optional collimator cone
X-ray field (at collimator tip)	Circular, diameter 6 cm Rectangular, 3 choices (20x30 mm, 25x35 mm, 35x45 mm) with optional diaphragm
Leakage radiation @ 1m	< 0.25 mGy/h
Technical factors for leakage radiation	70 kV, 6 mA, 1 s, 60 exp/h
Tube insert type	D-045
Focal spot	0.4 mm (IEC 336)
Anode material	Tungsten
Anode angle	12.5°
Inherent filtration	At least 1.0 mm Al eq. @ 70 kV
Additional filtration	1.5 mm Al eq. @ 70 kV
Anode thermal capacity	4300 J

Scissors and Extension Arm Features

Material	Aluminum
Type of painting	Glossy
Mounting type	<ul style="list-style-type: none"> - Wall mount with local keyboard - Wall mount with remote keyboard - Mobile unit on trolley



Choice of extension arm length (only for wall mounted units)	<ul style="list-style-type: none"> - 30 cm - 60 cm - 80 cm
--	---

Timer Features

Exposure times	From 0.01 to 2 s in 36 steps
Exposure times control	Microprocessor controlled exposure times
Timer accuracy	$\pm 5\%$ or ± 2 ms (whatever is greater)
Timer display	LCD graphical display 84x45 mm. Resolution: 240x128 pixels Display of exposure parameters, error messages, icon and name of selected anatomic region, with possibility to customize the user language
Exposure button	With extensible cable (3 m) Optional wireless exposure button
Number of anatomic programs	882 pre-set times
Choice of patient size	3 choices (small, medium, large)
Choice of anatomic region	<ul style="list-style-type: none"> - Incisors (upper and lower) - Canines (upper and lower) - Premolars (upper and lower) - Upper molars - Lower molars - Anterior bite-wing - Posterior bite-wing
Selection type of receptor	3 choices: <ul style="list-style-type: none"> - Films (up to 5 different speeds) - Phosphor plates - Digital sensors
Dose display	Irradiated dose (mGy) is estimated by software according to the exam exposure factors. Reading accuracy: $\pm 20\%$
Variation of times for collimator cone = 30cm	A keyboard selection, with display indication, allows to change automatically the exposure times when the 30 cm cone collimator is used
Visualization of number of exposures	Yes
External connections	Provisions for connection of: <ul style="list-style-type: none"> - Remote x-ray pushbutton - Ready status signal lamp - X-ray emission signal lamp



Electrical Features

Line voltage	99 ÷ 264 V (corresponding to 110-10% ÷ 240 V+10%)	
Line frequency	50/60 Hz	
Absorbed current	2.5 A @ 230 V	5.2 A @ 115 V
Absorbed power	0.570 kVA @ 230 V	0.584 kVA @ 115 V
Line resistance	≤ 0.8 Ohm	≤ 0.4 Ohm

Environmental Conditions

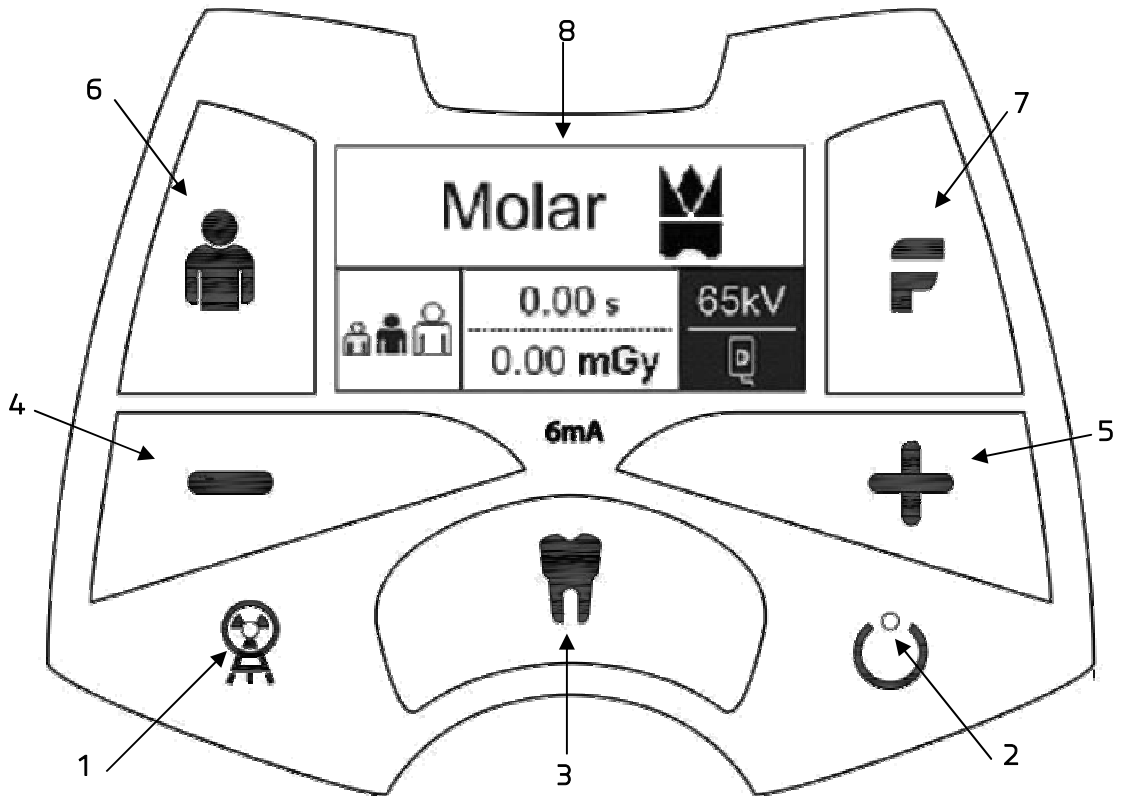
Operating conditions	Temperature: +10° to +40° Celsius Humidity: 30% to 75%
Conditions for transport and storage	Temperature: -20° to +70° Celsius Humidity: ≤ 95 % non condensing Pressure: ≥ 630 hPa

Standards and Regulations

	CE symbol grants the product compliance to the European Directive for Medical Devices 93/42/EEC and its revised versions as a class IIB device
	FDA approval grants the product compliance to US Code of Federal Regulation title 21 subchapter j
	Health Canada Licence grants the product compliance to the Canadian Medical Device Regulations SOR/98-282
	c-MET-us approval means that the product meets the requirements of the applicable US and Canadian standards



Keyboard Functions

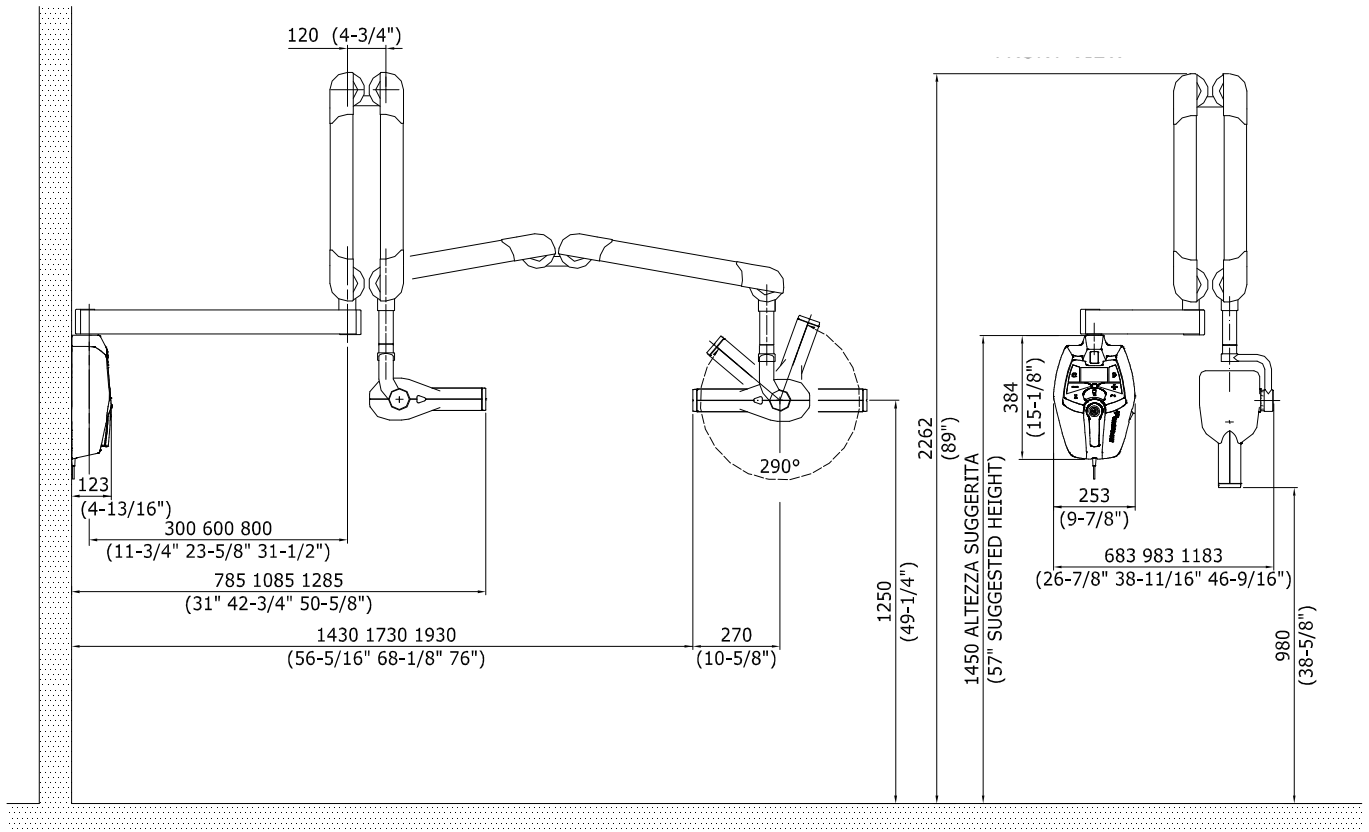


- 1 Yellow LED: "X-ray emission"
- 2 Green LED: "Ready for exposure"
- 3 Anatomic selection
- 4 Decrease pushbutton
- 5 Increase pushbutton
- 6 Patient size selection
- 7 Function pushbutton
- 8 LCD display



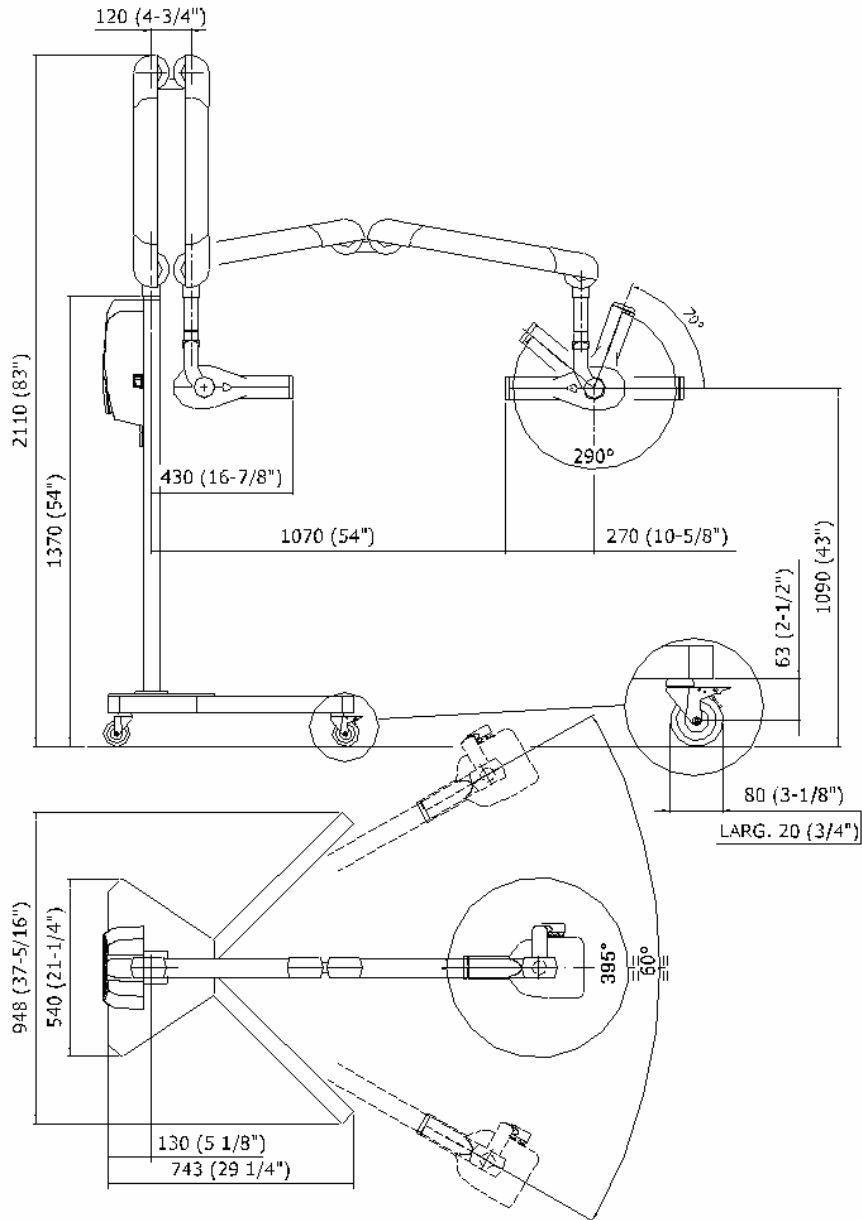
Site Planning (quotes in mm and inches)

WALL MOUNT





MOBILE UNIT ON TROLLEY



Note: Products are continuously under review in the light of technical advancement. The actual specification may therefore be subject to improvement or modification without notice.

VILLA SISTEMI MEDICALI s.p.a.
20090 BUCCINASCO (MI) - ITALY,
Via delle Azalee, 3
Tel. +39-02-48859.1, Fax +39-02-4881844

Company with Quality System certified by



ISO 9001:2008



EN ISO 13485: 2012