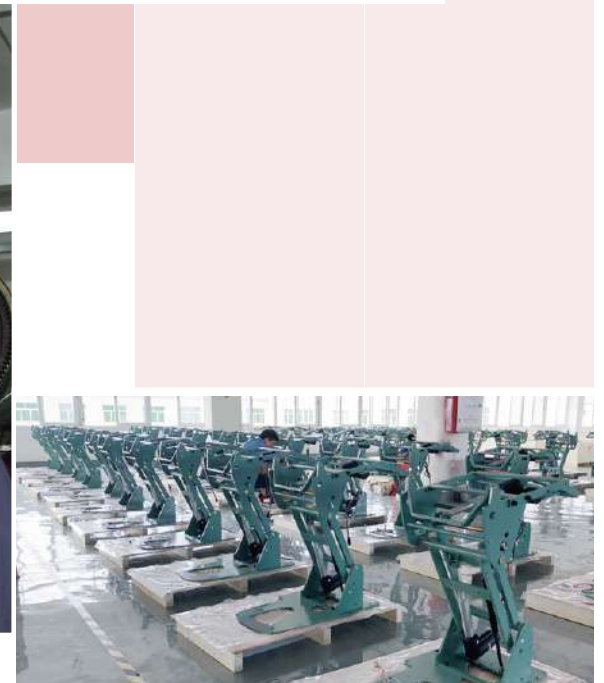


 **SIGER**

S60 / S30





CNC Machining Base

Along with the establishment of CNC machining base

- The quality of metal parts with standardized production is stable.
- The metal parts are much precise.
- Working efficiency is greatly improved.

S60 / S30

Intelligent · Efficient · Reliable · Elegant



S60



S30

SIGER S 30



S60/S30 | A new generation of electronic control system

- New simulating electronic control technology, 7-inch touch screen with powerful and diverse functions.
- 3 doctor programs meet the needs of personalized setting for multiple users.
- The working status of dynamic instruments are displayed on touch screen graphically.
- Intelligent linkage program by only one button to control cup filling, bowl rinsing, chair position and operating light on/off.
- Anti-suction system of dynamic instrument reduces iatrogenic infection.
- Instrument interlock: When one instrument is working, the others are locked safely to prevent accidental injuries and improve work efficiency.



Cart version



Whip arm version



Hanging version

S60/S30 | Dentist element with 7-inch high-resolution touch panel

- Simple and clear UI design, greatly improves user operating experience and working efficiency.
- Powerful feature settings including chair memory position setting, dynamic instrument working status setting, module position setting, menu language setting, intelligent linkage setting, disinfection procedure setting and so on.
- Anti-suction system of dynamic instruments to reduce the probability of iatrogenic cross-infection.

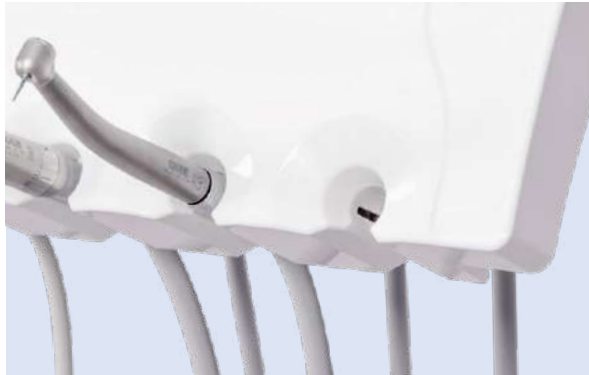


- Visually and clearly display dynamic instrument working status



- Personalized settings for 3 doctors





- On/Off of all the dynamic instruments can be controlled by the photoelectric sensors



- Optional Fast connection system for dynamic instrument tubes provides great convenience for disassembling, cleaning and disinfection

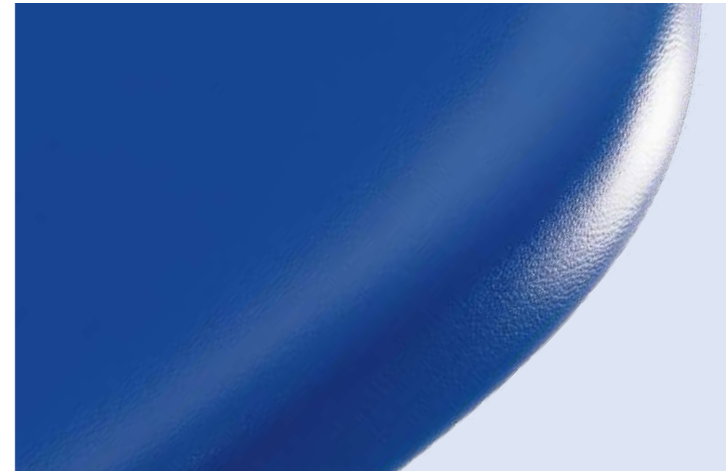
Full-featured assistant element

- 12-level height adjustment of assistant element
- Photoelectric sensor system controlling on/off of HV suction/saliva ejector
- 11 button touch control panel for assistant element can control chair position, operating light on/off, cup filling and spittoon rinsing.



S60/S30 | A brand NEW patient chair with SmoothControl comforting system

Newly-designed chair structure keeps every movement stable and steady.
The chair comforting system with soft-start keeps the patient in a relax state.
The excellent Italian imitation leather makes the patient chair elegant and comfortable.



- Superior plastic support plate of upholstery is hygiene and durable.
- The upholstery is fixed by the unique buckles for easy replacement.
- Seat upholstery with unique two section design, convenient for transportation and make your upholstery color mix in your style.
- The scientific linkage design of the patient chair backrest and seat can greatly reduce the patient's feeling of stretching and squeezing when the chair is moving.
- Angle sensor ensures accurate chair position memory and no cumulative error.
- The ultrathin aluminum backrest provides board space for dentist and nurse's legs.
- Chair movement protection: safety cut-out stops the chair and backrest from moving down in the presence of obstacles. The chair or the backrest will move up a little bit to avoid unexpected harm.



Scientific headrest design can meet the needs of different patients.



Adult position



Children position



Special-need position

SIGER S 30



S60/S30 | Multifunctional foot control

Pedal- type foot control and lever- type foot control is selectable.

Wireless foot control is optional



lever- type foot control

Short press: Rinsing position
Long press: Preset position A
Dynamic instruments working with / without water

Chair position adjustment

Dynamic instrument working control

Short press: Zero position
Long press: Preset position B
Handpiece chip blow



Pedal- type foot control

S60/S30 | LED Dental Light





Brand/Model	SIGER V1
Technology	LED
Color Temperature	4300K
Intensity	8000-30000LUX
Light Spot	70 x 140 MM (@700 MM)
Voltage	12 -24 Vac
Consumption	15 VA



Brand/Model	SIGER V2
Technology	LED
Color Temperature	5000K
Intensity	8000-30000LUX
Light Spot	80 x 150 MM (@700 MM)
Voltage	12 -24 Vac
Consumption	6 VA



Brand/Model	SIGER V5
Technology	LED
Color Temperature	3000-4500-5500K
Intensity	8000-35000LUX
Light Spot	75 x 200 MM (@700 MM)
Voltage	12 -24 Vac
Consumption	10 VA



Brand/Model	KY-P138
Technology	LED
Color Temperature	4000-5500K
Intensity	30000-90000LUX
Light Spot	φ 120 MM (@ 900 MM)
Voltage	15 -24 Vac
Consumption	30 VA

S60/S30 | Unique Hygienic Design



- Detachable suction system for cleaning



- Detachable cup filler for cleaning

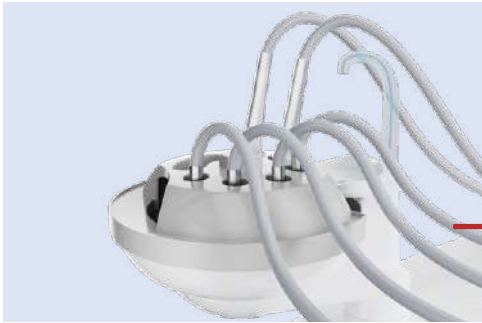


- Adding distilled water and disinfectant from top, easy and convenient

S60/S30 | BioTude flushing and disinfection system

Flush and disinfect the water line of dental unit regularly:

- Prevent the formation of biofilm
- Reduce the risk of iatrogenic cross-infection
- Ensure the usage of equipment hygienically and safely



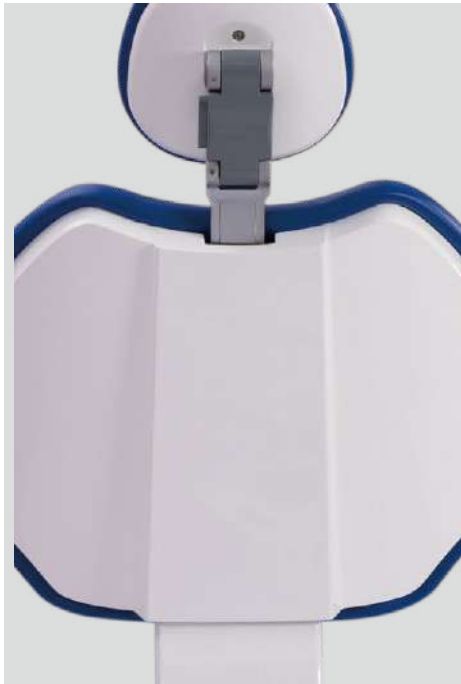
Disinfection holder



One click to start BioTube flushing and disinfection system



S60/S30 | High quality parts



Aluminum casting backrest.



ABS engineering plastics,
injection molding process.



The upholstery is fixed by the
unique buckle for easy replacement.



Aluminum water heater,
efficient and energy-saving.

S60/S30 | Rich configuration options



▪ Bigger tray T1(36X26cm)



▪ Bigger tray T2(40 X 30cm)



▪ Right armrest



▪ Monitor bracket



▪ button-type headrest



Assistant stool

The height of the seat and the tilt of backrest can be adjusted to meet with ergonomics. Silent swivel casters are equipped.

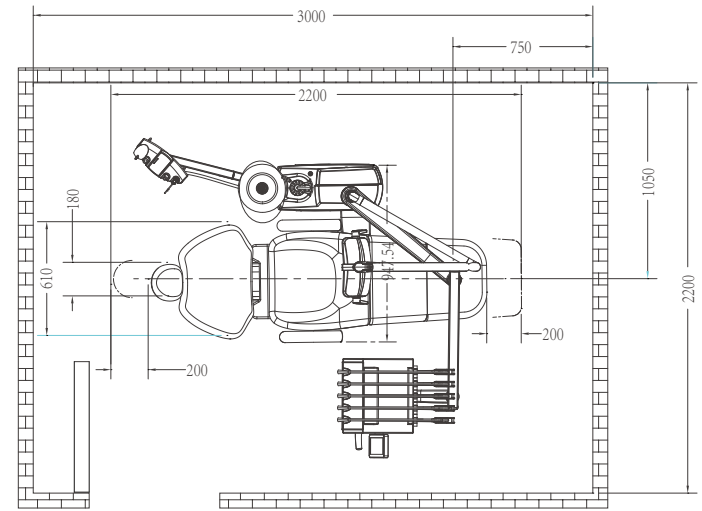
Italian seamless upholstery color



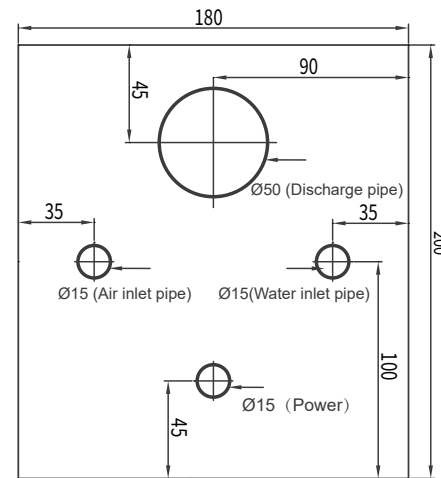
Sewn upholstery color



Dimension



Layout of floor box holes



SIGER S 60

Unique design for implant treatment



Intro-oral camera

- with better processor for clearer pictures
 - 6mm ultrathin camera, easy to observe posterior tooth area
 - 21.5inch IPS full-view screen
 - with better processor for clearer pictures
 - wireless digital intraoral camera (5G transmission)



- Medical stainless steel tray with air break switch, easy to clean and corrosion preventive.



Dental LED lamp for implant

KY-P138

Light source: LED lamp

Spot size: ϕ 120 MM (@ 900 MM)

Color temperature: 4000-5500K

Voltage: 15 -24 Vac

Illumination: 30000-90000LUX

Power: 30 VA

S60 / S30



Zhuhai Siger Medical Equipment Co., Ltd

Add : Building 2, No.1, Chuangxin Yi Road, Tangjiawan Town, Zhuhai

Tel : 86-756-3881087 Email : info@siger.cn Web : www.siger.cn

 : Siger medical

 : Siger Medical

 : Siger_medical