

Options



4 different extension arms

Choose from 4 different extension arm lengths to make your intraoral unit perfectly fit into your dental studio. You can select standard 30 cm, 60 cm or 80 cm and optional 100 cm arm.



Rectangular collimator

FONA's rectangular beam limiting device permits significant dose reduction.



Collimator length

20/21 cm standard or 30 cm optional collimator available.



Mobile version

The mobile version is the ideal choice for dental studios looking for maximum operational flexibility.

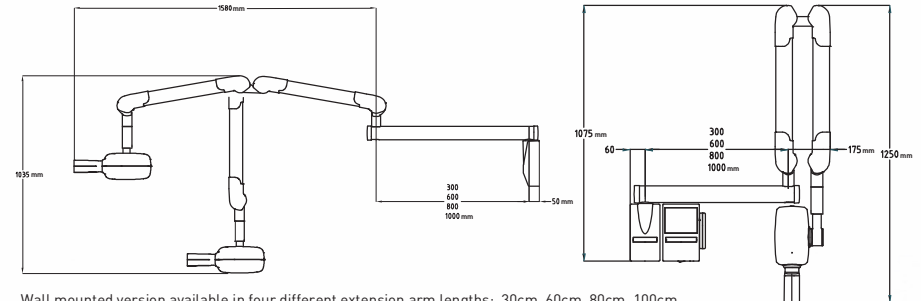


Remote hand switch

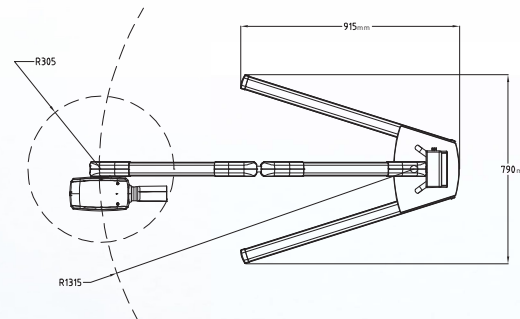
With a cable length of 10 m, the remote hand switch is easy to mount where needed.

Technical Specifications

	FONA X70	FONA XDG	FONA XDC
Generator	Alternating Current (AC)	Alternating Current (AC)	Direct Current (DC)
Focal spot	0.8 (IEC 336/1997)	0.4 (IEC 336/1997)	0.4 (IEC 336/1997)
Tube voltage, tube current	70 kVp, 7 mA	70 kVp, 3.5 mA	60/70 kV (selectable), 7 mA
Line voltage	120/230 V, 50/60 Hz	120/230 V, 50/60 Hz	100/230V, 50/60 Hz
Focus - skin distance	Standard 21 cm	Standard 21 cm	Standard 20 cm (optional 30 cm)
Exposure time	0.06 ms - 3.2 s	0.21 - 11.2 mAs	0.01 - 3.2 s
Patient Sizes	Adult, Child	Adult, Child	Adult, Child
Number of tooth selection	7	7	9



Wall mounted version available in four different extension arm lengths: 30cm, 60cm, 80cm, 100cm



Mobile version

