

STRONG POWER SERIES



SAESHIN
SAESHIN PRECISION CO., LTD

HEAD OFFICE & FACTORY
93, 15 PA-C DOONG
DAEJONG-GU, DAEJEON, KOREA
Tel. 82-43-867-2340 / 2341
Fax. 82-43-867-2342

EU Representative
Dongshin Asia Pacific
C/O. HANJIN, C/O. HANJIN, PO BOX 616, 11
RIVER, BK. 11, Ulsan, KINGSIDEN
Tel. +82 52 2728261 Fax. +82 52 2728262

FC REP

SOM-10008-F-REV. 2 2010.04
www.saeshin.com / sales@saeshin.com

Read all instructions before using.
This product is only designed for dental laboratory use.
This product can be used for clinical use of dental clinic.

Thank you for your purchase.
In order to have trouble-free performance
please read of instructions before operating.
Please keep this manual for future reference.
Saeshin is not responsible for the accident causing by not following the instructions.
Design and specification of the product can be subject to be changed for improving the quality,
improving the product, model, faulty status, and the customer
[tel # or email etc.], the kind consulting and quick service will be provided.

Handpiece - 1 year
Control box & Foot Pedal - 1 year
Warranty does not include misuse or normal wear of bearing, carbon brush, collet chuck, spindle and armature.

SERVICE FOR CHARGE

In case of the 'fault' or malfunction from the misuse of the user
-Using with wrong Input Voltage (AC Voltage)
-Dropping down during setting or moving
-In case of user's misuse or improper use
-Using consumable parts or accessories not recommended by manufacturer
-Malfunction after repairing at the places not recommended by manufacturer

Other cases
-Faulty by Act of God (fire, sea wind or water, flood etc.).
-Replacing by the normal wear of the consumable parts
(ball bearings, collet chuck, carbon brush, spindle, or armature etc.)

SETTING AND OPERATION

- 1 After checking off-switch in control box, plug in.
- 2 Connect handpiece to output of control box.
- 3 Set the speed dia of control box to '0'.

CAUTION

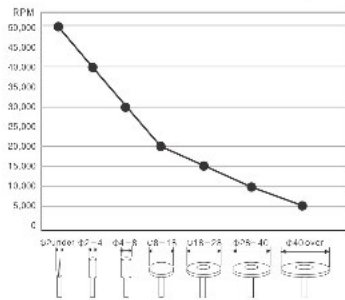
- In case of easy chuck change type or front-chuck-open type (Forle, 103L, 107 and 102WL HP), please use it at or checking the bur is completely lock. This is because the chuck could be loose after chuck or bur change.
- 5 Hold handpiece with one hand and with the other hand, turn on the power of control box.
- 6 Check handpiece turning normally controlling speed dial in control box.
- 7 Turn off the power and connect the foot pedal to control box. Check speed operating of the pedal.
- 8 Turn off the power and switch to reverse direction. Turn on the power and check the operating.

CAUTION

Please turn off the switch when you do not use the unit.

- 1 Do not work in a dangerous place. Do not use the control box in a humid place.
- 2 Transport and storage conditions:
Temperature : 10 ~ 40°C
Humidity : 30 ~ 75% RH
Atmospheric Pressure : 700 hPa to 1,060 hPa
- 3 Our handpiece & foot pedal should be only used for our control unit.
- 4 Bur
* Dimensions of the bur: 2.35mm (ISO7785-2 TYPE2)
* Minimum fitting length of bur: 10mm
* When locked in the chuck, the maximum projection length of should be less than 35mm Use a bur that conform to the ISO standards.
Avoid using a rusty or bent bur that may cause excessive wear of bearings. Keep safe speed, and precautions recommended by bur manufacturer.
- 5 Check for any troubles, including vibration of bur at low speed, and then start high speed.
- 6 Operate the speed control dial in control box safely.
- 7 Use a fuse of 220V/230V/2A for control box.
- 8 Turn off the power in order to change the bur.
- 9 Be careful not to drop the handpiece as it may be damaged or broken. In case that it is dropped, check if the bur's cant or if any excessive heat is generated while carefully operating it.
- 10 If any problem occurs in handpiece, use after repairing.
- 11 Do not turn on the power of control box while the collet chuck of handpiece open. (Short circuit of the motor may be caused)
- 12 Make sure that the switch is off before putting the power plug in the socket, in order to avoid an unexpected injury due to sudden start.
- 13 A circuit breaker is provided to protect the motor. It is actuated when there is an overload which the motor control stand. Work within a range of load which it is not actuated.
- 14 Do not open the chuck while operating.
- 15 Keep the handpiece with setting a bur to the collet chuck after operation.
- 16 Do not put the handpiece down before it stops come slowly.
- 17 Be sure to pull out the power cord before moving the control box.
- 18 Use the specified voltage.
- 19 Use accessories suitable for this product.
- 20 For recommended speed in various applications, follow the manufacturer's instructions.
- 21 Wear proper protective clothes and equipment, including a dust mask and safety goggles. Use a proper suction unit and a ventilator.
- 22 Keep the workplace clean. Debris may cause an accident.

[The allowable RPM according to the bur diameter]
Please keep the RPM according to below diagram against the accident.
<The allowable RPM could be different from the bur material and type.



Check point in case of problem

If the product does not work after checking, please contact to the seller or manufacturer.

[CONTROL BOX]

| problem | check | cause | solution |
|--------------------------------------------------|----------------------------------------------------------------------------------------------------------------|--------------------------------------------------------|--------------------------------------|
| The motor does not run. | the power's out. | The control box may have a problem. | Check the fuse. |
| | the power lamp is out when the power switch turn on. | Check the connection of power cord. | Connect the power cord properly. |
| | The motor does not run when the handpiece close not run, when the hand/foot switch is on and power lamp is on. | Check if the O.V (overload) lamp is on. | Turn off the power and then turn on. |
| | | Open the end cap of handpiece and check the bur is on. | Ask to the seller. |
| | | Check the connection of connector and HP cord. | Connect the handpiece properly. |
| Check the pedal connection. | Connect the pedal properly. | | |
| Check if the cord is broke down or disconnected. | Ask to the seller. | | |
| Check the carbon brush. | Change the carbon brush or ask to the seller. | | |
| The motor runs | Speed control is out | The control box may have a problem. | Ask to the seller. |

[HANDPIECE]

| problem | cause | solution |
|---------------------------------------------------------|-------------------------------------------------------------|--------------------|
| The handpiece does not run, although the chuck is lock. | Check the connection of bearing, carbon brush, control box. | Ask to the seller. |
| The handpiece is getting warm during use | Check the bearing. | Ask to the seller. |
| The noise and vibration happen during use. | Check the bearing and chuck. | Ask to the seller. |
| | Check if the bur is bent. | Change the bur. |

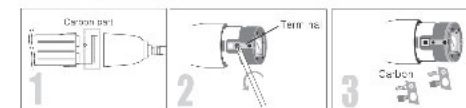
REPLACEMENT OF FUSE

The fuse fit in a small fuse box beside the power connector at the back of the control box. Pull out the fuse box then replace it with a new one (120V-13.15A/230V, 200V-2A/250V)

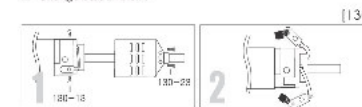
CHANGE CARBON BRUSH

[caution]
Please make sure the power is off, before you change the carbon brush.
Please run the motor for 1 minute with non-load in order to put the carbon brush in right place.
Please check periodically the carbon brush wear in order to prevent the severe damage.
The motor can be damaged if the carbon brush worn out is not changed in proper time.

[102, 102L, 102LS, 102WL, 103L, 107, 107L, 1201I, 108E, 108E]



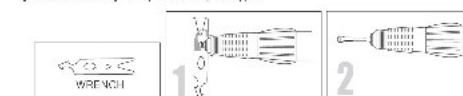
- 1 Unscrew the carbon part. The terminal is separated of the same time.
- 2 Change carbon brush.



- 1 Unscrew the bolt 130-23 and unscrew 130-13 fixed in the carbon bush.
- 2 Remove the soldered carbon and change the new one.

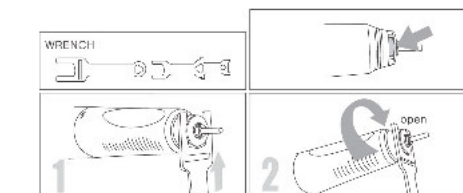
CHANGE COLLET CHUCK

[STRONG102WL]- easy chuck open type



- 1 Open the chuck and remove the bur.
- 2 Fix the wrench to chuck and turn it to the counter-clockwise.

[STRONG103L, 107]- easy chuck change type



- 1 Set and fix the wrench turning the bur.
- 2 Turn to open direction, check open.
- 3 Turn the chuck to the counter-clockwise in case of not turning by hand, use wrench.
- 4 Change the chuck.
- 5 Fix the bur and chuck turning to clockwise. And then turn again to counter clockwise a bit and set the tension to remove the bur.

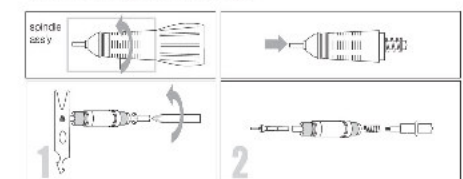
[caution]

Lock the handle properly.
If the handle is turned continuously with pressure, the handle and motor part may be disassembled. If not skilled engineer, do not disassemble. It may cause the breakage.

For replacing the ball bearings, fix the wrench on the nose lip and then turn the handle to the 'open' direction.
Turn the wrench and loosen the nose lip slightly.
Turn the handle again to the 'close' direction.

Spin the wrench again until the nose lip is disassembled and then bearings can be replaced. However, if the process is not followed properly, the nose lip may be damaged or broken. If not skilled engineer, do not disassemble.

[STRONG102, 102L, 102LS, 107I, 1201I]



- 1 Fix the wrench to the collet chuck in spindle easy and turn to the clockwise direction with screwdriver.
- 2 Change the chuck.

[caution]

Clean and assemble the chuck very carefully.
If not skilled engineer, do not disassemble the handle and motor part. It may cause the breakage.
If disassembled, clean joint of handle and the shaft of the motor part has to be fit each other. If it doesn't, vibration, noise and bearing damage may be caused.
* If the chuck is not open, please turn it with the wrench.

SUGGESTION FOR MAINTENANCE

- 1 Keep the place around in handpiece clean from dust and grindings.
- 2 Remove dust on handpiece wiring with isopropyl alcohol and avoid wet inside. *Do not apply the oil to the goods or clean with water. The grease inside of the bearing could melt away due to the oil.
- 3 Air cleaning is acceptable but air pressure may affect the handpiece or motor.
- 4 Insertion and removal of bur
Turn the handle in the open direction to open the chuck. Then, the chuck is opened and the bur is removed. Turn the handle in the close direction and the chuck is closed and the bur is secured. Turn the ring until a click sound.



FOR YOUR SAFETY, KEEP TO THE FOLLOWING.

- Do not use with damaged or faulty power cord, plug, and outlet. Contact to the manufacture. It may cause the danger of fire, electric shock.
- When unplug the power cord, hold the plug and do not touch with wet hand. Do to use with loosing power plug causing the danger of electric shock and fire.
- Do not bend the power cord excessively and do not press with heavy things. It may cause electric shock and fire.
- Do not place near heat equipment and candles or cigarette causing fire.
- Close supervision needs if this product is used by or near by the very young, the elderly or invalid.
- Do not leave children unattended in any room where this product has been installed.

● Type of protection against electric shock :
Class I equipment

● Degree of protection against electric shock:
Type B applied parts

● Classification according to the degree of protection against ingress of water as detailed in the current edition of IEC 60529:
Equipment: IPX0, ordinary equipment
Foot Switch: IPX1

● This equipment is not suitable for use in the presence of flammable anesthetics or oxygen

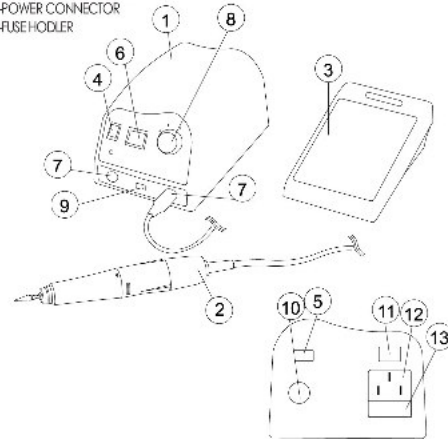
● Mode of operation: continuous operation

"This equipment has been tested and found to comply with the limits for medical devices in IEC 60601-1-2:1994. These limits are designed to provide reasonable protection against harmful interference in a typical medical installation. This equipment generates, uses and can radiate radio frequency energy and, if not installed and used in accordance with the instructions, may cause harmful interference to other devices in the vicinity. However, there is no guarantee that interference will not occur in a particular installation. If this equipment does cause harmful interference to other devices, which can be determined by turning the equipment off and on, the user is encouraged to try to correct the interference by one or more of the following measures:

- Reorient or relocate the receiving device.
- Increase the separation between the equipment.
- Connect the equipment into an outlet on a circuit different from that to which the other device(s) are connected.
- Consult the manufacturer or field service technician for help."
- Use the grounding conductor. Breakage or electric leak may cause the danger of electric shock.
For grounding, inquiry to electrician or to main office.
- In case of using extension cord, do not use many electrically equipments in one time. It causes fire and electric shock.
- Do not place or set up the product in the humid and rainy or snowy location.
It brings the danger of electric shock and fire.
- Do not drop or damage the handpiece. In case of malfunction, dropping, drowning, do not use and contact to the manufacturer. (It may cause vibration of the bur, overheating, or damage of the bearings.)
- Use the products in proper use as per the instruction and do not use not recommended by the manufacturer.
- It may cause injury or property loss if not following the instructions.
- Saeshin is not responsible for the accident causing by not following the instructions

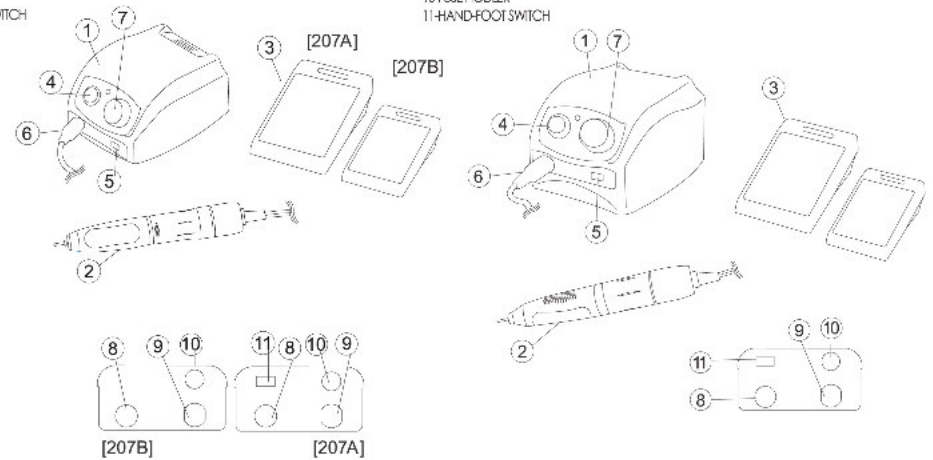
STRONG 206 /103L

- [PART NAME]
1-CONTROL BOX
2-HANDPIECE
3-SPEED FOOT PEDAL
4-POWER SWITCH
5-HAND FOOT SWITCH
6-FORWARD REVERSE SWITCH
7-MOTOR CONNECTOR
8-SPEED CONTROL DIAL
9-M1/M2 CHANGE SWITCH
10-FOOT PEDAL CONNECTOR
11-VOLTAGE CHANGE SWITCH
12-POWER CONNECTOR
13-FUSE-HOLDER



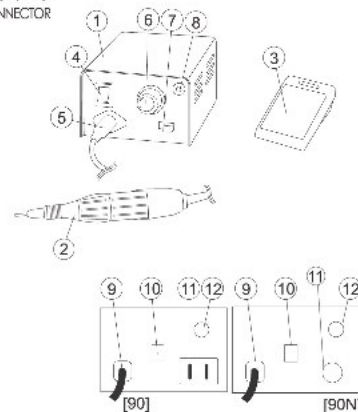
STRONG 207A/B-107

- [PART NAME]
1-CONTROL BOX
2-HANDPIECE
3-SPEED FOOT PEDAL(207A)
ON/OFF FOOT PEDAL(207B)
4-POWER SWITCH
5-FORWARD-REVERSE SWITCH
6-MOTOR CONNECTOR
7-SPEED CONTROL DIAL
8-FOOT PEDAL CONNECTOR
9-POWER CONNECTOR
10-FUSE-HOLDER
11-HAND-FOOT SWITCH
(207A)



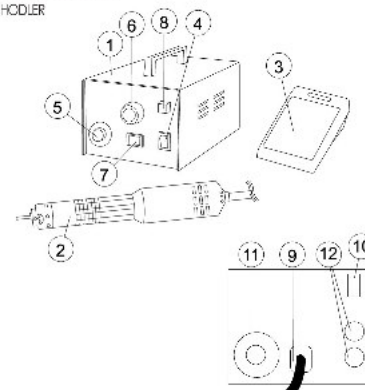
STRONG 90/90N-102

- [PART NAME]
1-CONTROL BOX
2-HANDPIECE
3-FOOT ON/OFF PEDAL
4-POWER SWITCH
5-MOTOR CONNECTOR
6-SPEED CONTROL DIAL
7-FORWARD-REVERSE SWITCH
8-POWER LAMP
9-POWER CONNECTOR
10-VOLTAGE CHANGE SWITCH
11-FOOT PEDAL CONNECTOR
12-FUSE-HOLDER



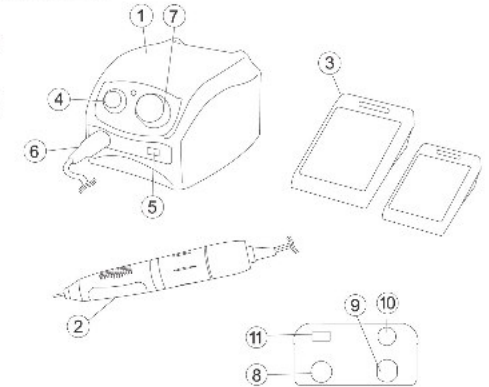
STRONG 230-130

- [PART NAME]
1-CONTROL BOX
2-HANDPIECE
3-ON/OFF FOOT PEDAL
4-POWER SWITCH
5-MOTOR CONNECTOR
6-SPEED CONTROL DIAL
7-FORWARD-REVERSE SWITCH
8-POWER LAMP
9-POWER CONNECTOR
10-VOLTAGE CHANGE SWITCH
11-FOOT PEDAL CONNECTOR
12-FUSE-HOLDER



STRONG 207S-106

- [PART NAME]
1-CONTROL BOX
2-HANDPIECE
3-SPEED FOOT PEDAL
ON/OFF FOOT PEDAL
4-POWER SWITCH
5-FORWARD-REVERSE SWITCH
6-MOTOR CONNECTOR
7-SPEED CONTROL DIAL
8-FOOT PEDAL CONNECTOR
9-POWER CONNECTOR
10-FUSE-HOLDER
11-HAND-FOOT SWITCH



STRONG 204/205-102L

- [PART NAME]
1-CONTROL BOX
2-HANDPIECE
3-ON/OFF FOOT PEDAL
4-POWER SWITCH
5-MOTOR CONNECTOR
6-SPEED CONTROL DIAL(204)
4 STAGE SPEED CONTROL DIAL(205)
7-FORWARD-REVERSE SWITCH
8-POWER LAMP
9-POWER CONNECTOR
10-VOLTAGE CHANGE SWITCH
11-FOOT PEDAL CONNECTOR
12-FUSE-HOLDER

