

# E8

EN

Efficient and reliable,  
sterilisation for everyone



**Euronda**<sup>®</sup>  
Pro System

# E8

## Efficient and reliable, sterilisation for everyone

- 4 **E8**  
Smart sterilisation is a question of balance
- 6 **Reliability**  
Efficiency and safety that stand the test of time
- 8 **Performance**  
The ideal balance between power and consumption
- 10 **Design**  
A perfect blend of aesthetics and functionality
- 12 **Innovation**  
Top technology at your fingertips
- 14 **Ergonomics**  
E8 makes everything easier
- 16 **Traceability**  
Keep the sterilisation process constantly under control
- 18 **Accessories**  
Starter kit included  
Optional tray holders
- 20 **Traceability and connectivity**  
Print Set 1  
Print Set 2
- 20 **Tests**  
Helix Test  
Bowie & Dick Test  
Prion Test
- 21 **Water treatment systems**  
Aquaosmo  
Aquafilter 1 to 1  
Aquadist  
Aquabox
- 24 **Sterilisation cycles and personal functions**
- 26 **Technical data and technical specifications**

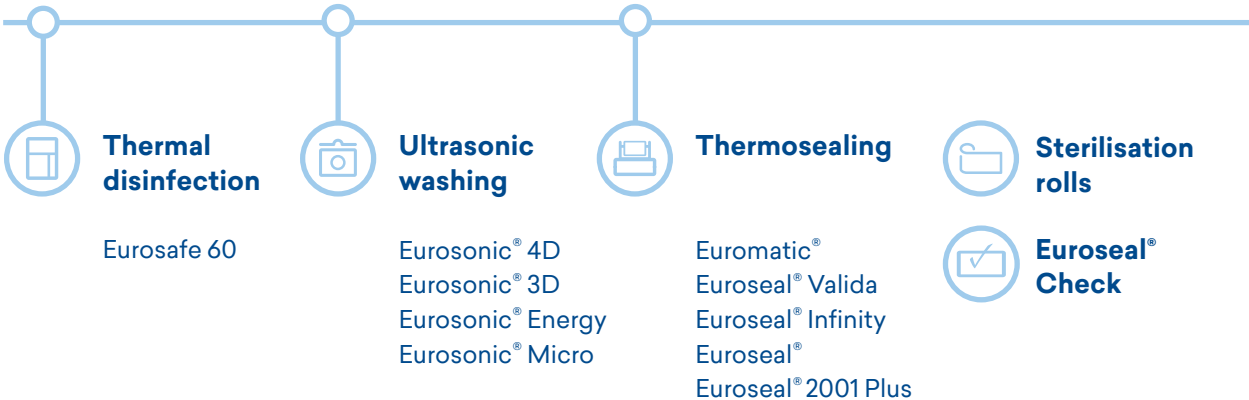
# Euronda Pro System

## Products, Process, Protection



### Cleaning

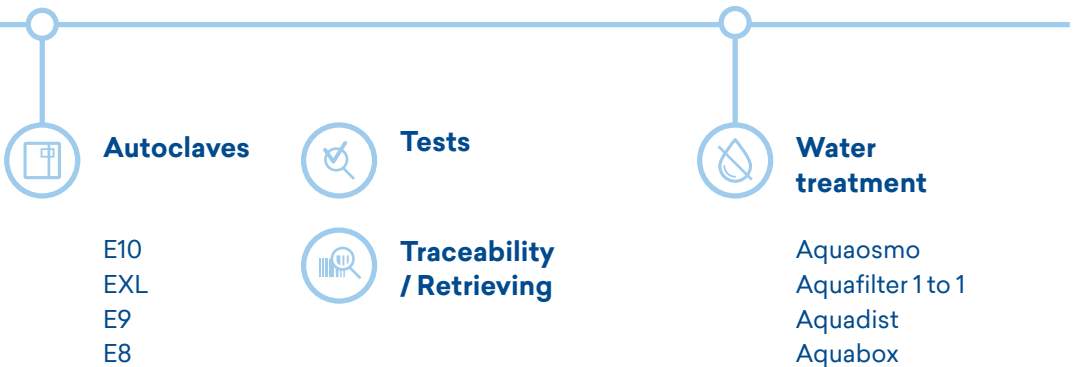
### Packing



Euronda Pro System is a total protection system for clinics that has been developed to ensure the safety of staff, patients, instruments and working environments. There are a number of steps in the sterilisation process and it will only be successful if each one - from collection to storage - is carried out properly. Thanks to the Pro System line, it is possible to implement a cutting-edge, effective, efficient protocol that can be followed on a regular basis and increase the safety of a practice while optimizing its resources.



## Sterilisation



# E8

## Smart sterilisation is a question of balance



### Reliability

Control systems and vanguard functions make sure that processes and results are consistent over time a Euronda Pro System hallmark.



### Performance

Powerful, fast and smart: it keeps consumption down and adapts cycle length to load.



### Design

Elegant, compact and modern: E8 an harmonious combination of fine aesthetics and total functionality.



### Ergonomics

Easy to install and even easier to use. E8 has been designed to save space and make healthcare professionals' lives simpler.



### Innovation

All Euronda Pro System's top technology concentrated in an autoclave that suits any practice.



### Traceability

E8's traceability system allows for saving data on SD Card and for the integration two different kinds of printer, according to needs.



Straightforward, high-performing and affordable: E8 brings together all Euronda's top technology to strike a perfect balance between innovation & ergonomics, power & consumption and customisation & usability. The end result is a state-of-the-art autoclave which perfectly meets the requirements of all practices. E8 boosts efficiency and makes your job easier, whilst delivering total reliability and longevity. E8 is the most affordable way to reap the advantages of all the Pro System sterilisation solutions.



# Reliability

Efficiency and safety that stand the test of time

Constant safety and steadfast efficiency - this is what E8 is all about. What you get is a smart sturdy autoclave of the utmost flexibility developed to adapt to the various requirements of any practice and to outperform. E8 integrates and harmonises the best solutions and functions of all Euronda Pro System devices. The various components, control systems and software strive together actively to give you absolute reliability.

**Euronda**

Pro System

**E8**





## Water quality sensor

The built-in conductivity meter monitors water quality and, if it is not satisfactory, E8 informs the operator with special messages on the display.



## Dirt Control System

It is located in the hydraulic circuit and it makes the dirt easily flow in the used-water tank, so that the autoclave can work without problems.



## Air-water separator

The air-water separator device, designed and built into the tank unit, is a real “life saver” for the vacuum pump. The pumps used on machines of this level are essential to achieve proper sterilisation, but are very delicate as they are in constant contact with flows containing high temperature steam, air, dirt and chemical waste from lubricating oils found on instruments being sterilised (wands, turbines,...). These streams are channelled into the separator device which separates the air from the other components before they enter the vacuum pump. This phase allows the pump to always operate in ideal working conditions, preserving the efficiency of the device.



## Support software

Euronda has developed a number of software applications to support technicians during the installation, diagnosis and maintenance processes. This helps to guarantee peak performance from E8 at all times while cutting assistance times and costs.





The instant steam generator and enhanced drying cycle ensure a rapid and superlative sterilisation process which keeps down water (300 ml of water per cycle) and energy (power usage of 2300 W at 10 A) consumption by adapting to the load.



# Performance

## The ideal balance between power and consumption



### Efficient

The steam generator instantly produces the steam for the sterilisation chamber, optimizing the water consumption in accordance with the load, making further cuts to the sterilisation time and actually improving the quality of the steam generated.



### Customization

First and foremost, E8 can run five different type B cycles (121°C, 134°C, 134°C Prion, 134°C Rapid and 134°C Rapid Prion) in full compliance with the EN 13060 standard, as well as three test cycles (Vacuum, Helix, and Bowie and Dick). In addition, thanks to the password-activated Personal functions, it is also possible to run Light cycles (type N cycles - N134 and N121) and Light & Stock cycles (type S cycles - S134 and S121).



### Eco-friendly

Fast and efficient at the same time. The Euronda Pro System technology optimizes the sterilisation settings to guarantee savings in terms of water (300 ml of water per cycle), energy (power usage of 2300 W at 10 A) and time.

# Design

## A perfect blend of aesthetics and functionality

With its elegant contemporary look, E8 underpins and reinforces the new style launched by Euronda autoclaves. The Soft Touch colour display is protected by a polycarbonate screen and enhanced with a distinctive front panel in light grey.



**Euronda**

Pro System

**E8**



## Elegant

Clean modern lines for a practical reliable autoclave endowed with all the signature details of Euronda quality.



## Functional

The exclusive Soft Touch display comes with a protective polycarbonate screen designed for easy cleaning.



## Compact

Its linear design, compact size and adjustable supports mean it easily fits into small spaces or on the work top.





20/10/2017 12:50

Operators  
Load Validation  
Drying Time  
**E-Timer**  
Standby

↑ ✓ ↓



# Innovation

## Top technology at your fingertips

E8 encapsulates the best of Euronda's Pro System cutting-edge technology and brings it within everyone's reach. Programming and customisation functions, an extremely user-friendly interface and incredibly innovative systems to keep the autoclave's performance standards consistent over time are all technological features which in E8 are synonymous with simplicity.



### **The smart autoclave**

Readily understandable and easy to use, E8 is a prime example of how simple and intuitive technology can be.



### **Soft Touch display**

The Soft Touch colour display and brand-new clear fuss-free icons enable healthcare professionals to work intuitively and fast. The user interface has been specially designed to speed up and optimise routine work in the practice.



### **E-Timer**

Make the most of your time! Thanks to the innovative E-Timer, you can set tests and sterilisation cycles to start at whatever time you like, allowing you to save time and start the working day at full speed.

# Ergonomics

E8 makes  
everything easier





## Devised to fit into your space

Endowed with a new rear ventilation system, it fits snugly on the shelves of the sterilisation room.



## Energy efficiency at your service

The choice of containing the power used within 2300 W allows the installation on a 10 A line.



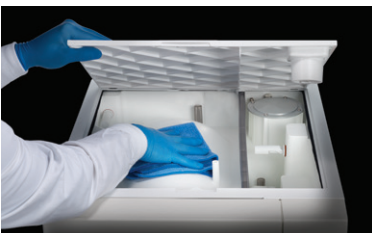
## Inspection<sup>®</sup> System

The tank compartment access system is extremely quick and simple. The upper cover is made of an innovative engineering plastic. It is held in place by a magnetic system which makes it easy to open at any time and enables even less proficient people to clean it easily and frequently. This guarantees safe sterilisation that remains consistently effective in the long term.



## Modular structure

The side panels are made of cutting-edge materials and they are extremely simple to remove. In addition, the components inside the machine are easily accessible and positioned in a logical manner. This helps to make maintenance easier, faster and more effective.



Tank compartment access system



# Traceability

## Keep the sterilisation process constantly under control

Traceability is a hallmark of all Euronda Pro System autoclaves, the first to have an expandable traceability system. E8 is no exception to the rule. All sterilisation cycles are saved to an SD Card for transferral onto a computer. With E8, two different kinds of printers can be added according to your requirements, so you can save time without compromising safety standards.



**Print Set 1**  
Built-in thermal  
paper printer



**Print Set 2**  
Built-in adhesive  
label printer

**Euronda**  
Pro System

E8



## Expandable connectivity

A storage system on a standard integrated SD Card so that all data can be easily transferred from the autoclave to the computer, in compliance with EN 13060 standards.



## Validation and load release

This function allows users to keep a digital record of the compliance of the sterilisation process in both the loading phase and the unloading phase. The operator ensures that the pouches are dry and checks their integrity and the state of the instruments, while also making sure that the sterilisation parameters are satisfactory.

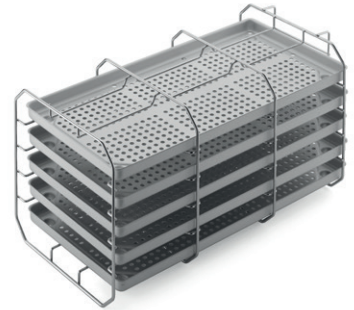


## Optional printers

E8's expandable traceability system caters to a range of needs, with a selection of two different optional printers. E8 can satisfy the traceability requirements of any practice and guarantee compliance with the legally established safety standards.



# Starter kit included



## Standard tray holder

Square profile steel tray holder with a capacity of five standard aluminium trays. If rotated by 90°, it can hold three sterilisation cassettes.

### Dimensions (wxhxd):

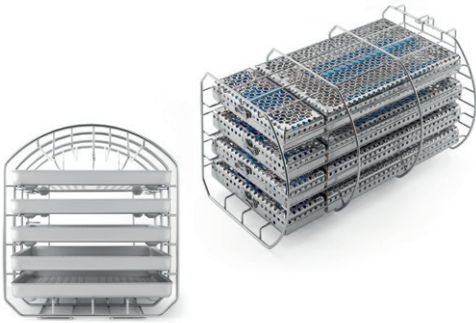
186 x 22 x 379 mm

### Five trays included



- Drainage pipes
- Sponge
- Tray removal handle
- Door adjustment handle
- Funnel

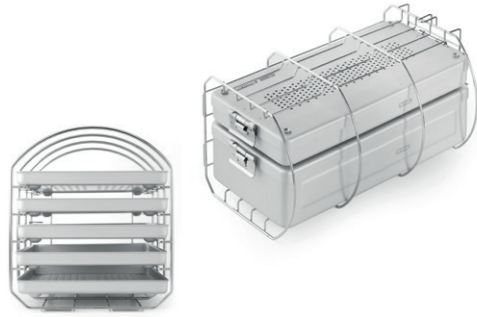
# Optional tray holders



## Tray holder for sterilisation cassettes

Rounded steel tray holder designed to hold five standard aluminium trays. If rotated by 90°, it can hold four sterilization cassettes. Capacity: four 1 DIN cassettes + four 1/4 DIN cassettes.

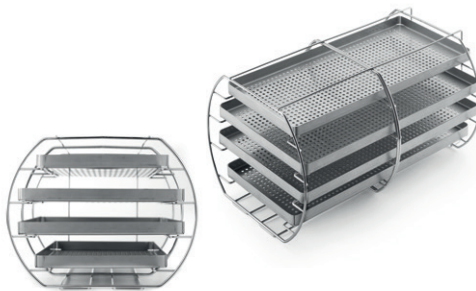
**Trays not included**



## Tray holder for sterilisation container

Rounded steel tray holder designed to hold five standard aluminium trays. If rotated by 90°, it can hold one or more sterilisation containers. Max. capacity: 190 x 152 x 380 mm (wxhxd).

**Trays not included**



## XL tray holder kit

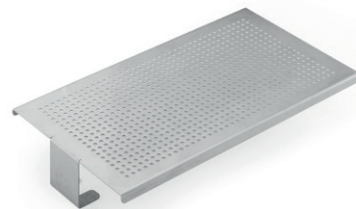
XL rounded steel tray holder, with a capacity of four special aluminium trays.

**Trays dimensions (wxhxd):**

175 x 17 x 380 mm (upper and lower tray)

220 x 17 x 380 mm (central tray)

**Trays included in the kit**



## Universal support surface

A steel support surface that is suitable for loads with greater dimensions. It can be installed directly in the boiler, after removing the tray holder provided.

**Dimensions (wxhxd):**

194 x 53.5 x 350 mm

# Traceability and connectivity



## Print Set 1

Built-in thermal paper printer for those who wish to print and store the results of the sterilisation cycle on a paper copy. It can be installed on-board in a few simple steps on the front of the machine.



## Print Set 2

Built-in adhesive labels printer: safely tag your load. Install this simple printer device on board in a few easy steps. Save space and conveniently print your labels and bar codes.

# Tests



## Helix Test

Test for Class B autoclaves to evaluate the capacity of penetration of the steam in hollow loads. Composed of a tube and 250 colour testers to confirm sterilisation.

**Single pack**



## Bowie & Dick Test

Test for Class B autoclaves to evaluate the penetration efficiency in porous loads.

**Single pack**  
**Carton of 10 pieces**



## Prion Test

Test for Class B autoclaves, calibrated with the temperature, considered effective in 134°C Prion sterilization cycles (134°C x 18 minutes). Composed of 200 colour testers.

**Single pack**

# Water treatment systems



## Aquaosmo

Aquaosmo is a system that uses reverse osmosis to produce deionized water. A complex filtering system, containing no fewer than four filters and one membrane, produces a large amount of water that is suitable for supplying autoclaves and all of the equipment in clinics, in accordance with the EN 13060 standard ( $<15 \mu\text{S}/\text{cm}$ ). A gun for spraying water manually can be also connected. Aquaosmo is designed to be installed together with an Aquabox and connected directly to an autoclave. It can supply up to four autoclaves at the same time if it is fitted with the special external accumulator tank kit, which has a capacity of 12 litres. Aquaosmo does not need to be connected to an electrical power supply and it can be installed directly on a work surface or inside a unit.

### It can supply:

4 autoclaves

### Water production:

1 litre of water every 20 min.

### Supply pressure:

Min. 2 / Max. 3 bars

### Conductivity of incoming water:

Max.  $650 \mu\text{S}$

### Dimensions (wxhxd):

360 x 280 x 180 mm

### Weight (empty):

5.3 Kg



**External accumulation tank**  
Included in the kit



**Aquabox**  
Included in the kit



**Nozzle**  
Not included in the kit



## Aquafilter 1 to 1

Device that produces deionized water for the autoclave, in compliance with the EN 13060 standard ( $<15 \mu\text{s}/\text{cm}$ ). It can be connected to one Euronda autoclave and deionises an average of one litre of water per minute. An indicator light shows the water conductivity level, allowing you to see at a glance when it's time to replace the resins. It can be equipped with an automatic shut-off device. It can be positioned on the worktop, inside a cabinet or it can be wall-mounted. The pack contains: two ion-exchange resin cartridges, a resin fixing tool, a water mains connection pipe, and a pipe and cable for connection to an autoclave.

**It can supply:**

1 autoclave

**Water production:**

1 litre of water per min.

**Dimensions (wxhxd):**

390 x 455 x 145 mm

**Weight (empty):**

8.4 Kg



## Aquadist

Water distiller that boils water and condenses the steam to obtain distilled water. It distils 0.7 litres of water per hour. 4 litres capacity. It passes all safety tests, complying with all electromagnetic compatibility standard (2014/30/EU) and low voltage standard (2014/35/EU) requirements.

**Water production:**

0.7 litre of water per hour

**Dimensions (Øxh):**

230 x 360 mm

**Weight (empty):**

3.5 Kg



## Aquabox

Aquabox is a device that allows Euronda autoclaves to be connected to an external supply of water that has already been treated. It is ideal for clinics that already have water treatment systems based on osmosis or other methods. It can be installed easily on all Euronda Class B autoclave models.

Quality controls on incoming water are guaranteed for devices with water quality sensors.

**Dimensions (wxhxd):**

100 x 100 x 50 mm

**Weight:**

0.5 Kg



# Sterilisation cycles

	<b>B 134</b>	<b>B 121</b>	
	Solid, porous and hollow, wrapped and unwrapped	Solid, porous and hollow, wrapped and unwrapped. Particularly indicated for plastics, turbines and handpieces	
<b>Temperature</b>	134° C	121° C	
<b>Pressure</b>	2.05 bar	1.05 bar	
<b>Sterilisation time</b>	4'	20'	
<b>Drying time</b>	15'	15'	
<b>Total time with standard loads*</b>	29'	44'	
<b>Maximum load solid/porous</b>	6 Kg / 2 Kg	6 Kg / 2 Kg	

# Personal functions

(activation on demand with a password)

	<b>Light &amp; stock cycles**</b>		
	<b>S 134</b>	<b>S 121</b>	
	Sterilisation of non-bagged or bagged solid products	Sterilisation of non-bagged and plastic or bagged solid products	
<b>Temperature</b>	134° C	121° C	
<b>Pressure</b>	2.05 bar	1.05 bar	
<b>Sterilisation time</b>	4'	20'	
<b>Drying time</b>	15'	15'	
<b>Total time with standard loads*</b>	18'	32'	
<b>Maximum load solid</b>	6 Kg	6 Kg	

\* Times are intended without drying. The times have a tolerance of +-5%.

\*\* All of the cycles are available unless it is not possible due to specific national legislation.

	<b>B 134 prion</b>	<b>B 134 - rapid</b>	<b>B 134 prion - rapid</b>
	Prion cycle for wrapped and unwrapped solid, porous and hollow	Rapid cycle for wrapped and unwrapped solid, porous and hollow For 1 tray instruments	Rapid prion cycle for wrapped and unwrapped solid, porous and hollow For 1 tray instruments
	134° C	134° C	134° C
	2.05 bar	2.05 bar	2.05 bar
	18'	3'5"	18'
	15'	4'	4'
	43'	27'	42'
	6 Kg / 2 Kg	0.6 Kg / 0.2 Kg	0.6 Kg / 0.2 Kg

<b>Light cycles**</b>	
<b>N 134</b>	<b>N 121</b>
Unwrapped solid instruments	Sterilisation of non-bagged and plastic solid products
134° C	121° C
2.05 bar	1.05 bar
4'	20'
4'	4'
24'	33'
6 Kg	6 Kg

# Technical data

	<b>E8 24L</b>
<b>Overall dimensions</b>	460 x 455 x 610 mm (wxhxd)
<b>Weight</b> (machine empty with basket)	48 Kg
<b>Power supply</b>	230 V 50/60 Hz
<b>Absorbed current</b>	2300 W 10 A
<b>Operating temperature</b>	+5 - +40°C
<b>Operating altitude</b>	≤ 2000 m a.m.s.l.*
<b>Minimum depth of the support surface</b>	500 mm
<b>Minimum width of the support surface</b>	460 mm
<b>Minimum space above the tank</b>	0 mm leaving the loading cap free
<b>Noise level</b>	50 dB
<b>Weight per support area</b> (tank full and chamber with max. load)	48 + 9 = 57 Kg Load on each foot: 14.3 Kg
<b>Operating range</b>	Indoor use - Maximum relative humidity 85% Maximum line-voltage deviation ±10% Installation category II - Pollution level 2
<b>Average water consumption per cycle</b>	300 ml
<b>Tank capacity</b> (clean water / used water)	5 / 3.5 litres

\* For altitudes higher than 2000m, please contact Euronda SPA

## Safety Device

- Overpressure protection
- Accidental door opening protections
- Process appraisal system
- Real-time self diagnostic system

## Compliance with harmonised standards

EN 13060  
EN 14971  
EN 61010-1  
EN 61010-2-040  
EN 61326  
EN 13445

## Documentation

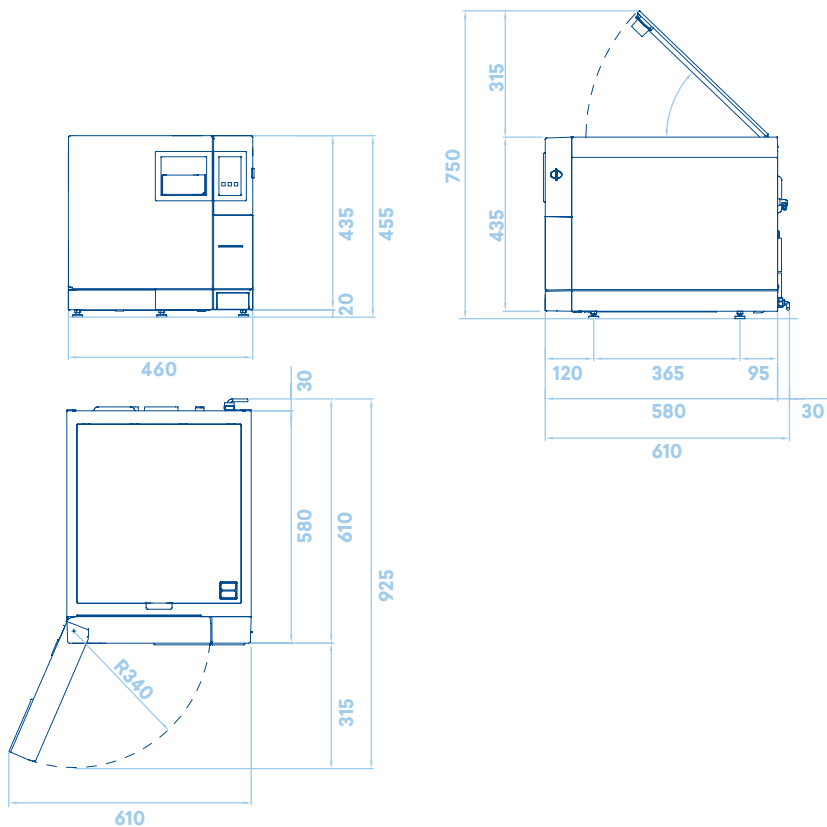
- User Manual
- Declaration of conformity chamber
- Declaration of conformity autoclave
- Warranty Certificate
- Installation chart
- Servicing handbook

## Certification information

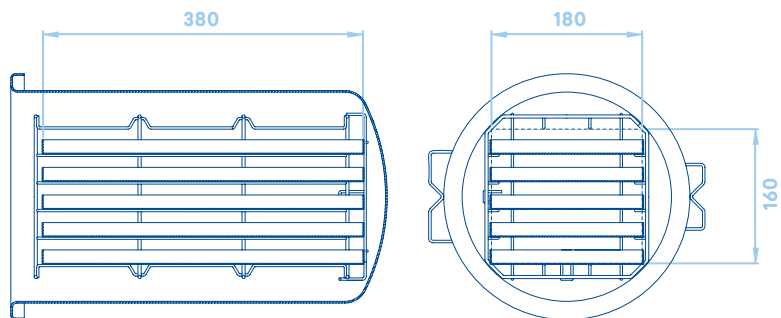
- E8 Autoclave compliant with Directive 93/42/EC and addenda.
- Class II b device
- Stainless steel moulded chamber certified to PED Directive 2014/68/EC
- Chamber capacity 24L
- 5 trays o 3 cassettes
- Company certification: ISO 9001, ISO 13485
- CE Type Ref: E8 24L

# Technical Specifications

## Overall required space (mm)



## Sterilisation chamber sizes (mm)



## **Euronda Spa® 2020**

This catalogue  
cannot be copied,  
scanned or reproduced  
by any means.  
All rights reserved.

Picture, description,  
quoting, dimension  
and technical data  
have to be considered  
as purely indicative.

While maintaining the  
basic characteristics  
of the product, the  
manufacturer reserves  
the right to make  
modifications at  
any time with the sole  
aim of improvement.

**Euronda Spa**

Via Chizzalunga 1  
36066 Sandrigo  
Vicenza, Italy  
t (+39) 0444 656111  
f (+39) 0444 656199  
m info@euronda.com  
**www.euronda.com**

**Deutschland**

Euronda Deutschland  
Am Landwehrbach 5  
48341 Altenberge, Deutschland  
t (+49) 2505 9389 0  
f (+49) 2505 9389 29  
m info@euronda.de  
**www.euronda.de**

**France**

Euronda France Eurl  
ZAC les Vallées, Avenue de Bruxelles  
60110 Amblainville, France  
t + 33 (0) 3 44 06 69 70  
f + 33 (0) 3 44 02 03 89  
m info@euronda.fr  
**www.euronda.fr**

**España**

Euronda - Identyd,  
Calle Músico  
Antonio Rodríguez de Hita, 12  
Bajo 30007 Murcia  
t 900102034  
m info@euronda.es  
**www.euronda.es**

**Russia**

OOO Finstar  
5/2a Varshavskaya str.  
196128 St. Petersburg, Russia  
t +7 (812) 635 88 94  
m info@finstartech.ru  
**www.euronda.com.ru**

# **Euronda**<sup>®</sup>

Distributed by:

# **ICONA**

DESIGNED WITH YOU IN MIND

Trade Central Business Park  
Unit 12/37 Kellor Park Drive  
Kellor Park Vic 3042

Ph: 1300 442 662  
sales@icona.net.au  
www.icona.net.au